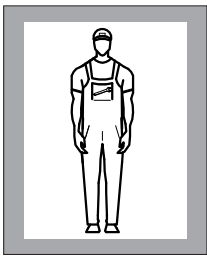




# GESSI<sup>®</sup>


TECHNOLOGY  
FOR THE KITCHEN




**Gessi SpA**  
Parco Gessi 13037 Serravalle Sesia (Vercelli) - Italy  
Phone +39 0163 454111 - Fax +39 0163 459273  
[www.gessi.com](http://www.gessi.com) - [gessi@gessi.it](mailto:gessi@gessi.it)

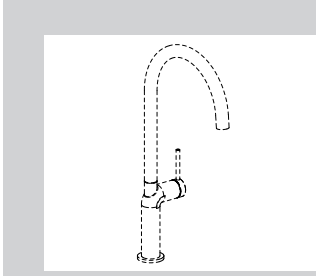
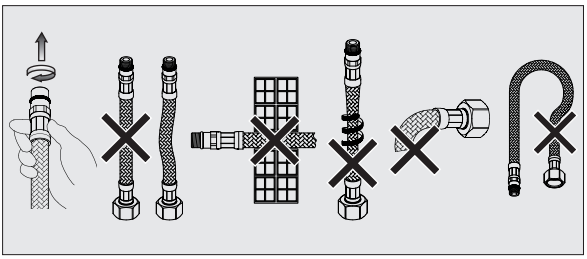


  Max 70° Celsius  
Max 158° Fahrenheit

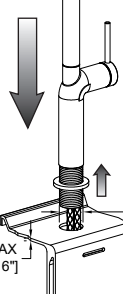
 5° - 60° Celsius  
41° - 140° Fahrenheit

3 bar  
43 psi

 Max 5 bar  
Max 72 psi

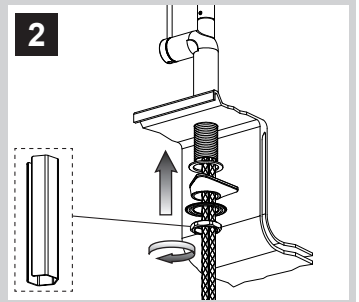


**1**



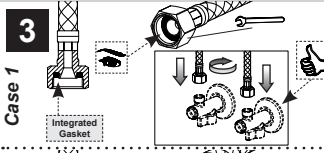
40 MAX  
[1-9/16"]

Ø35  
[1-3/8"D.]



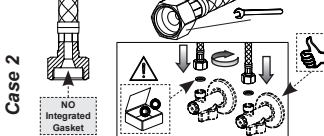
**3**

Case 1

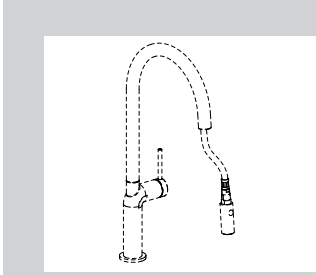


Integrated Gasket

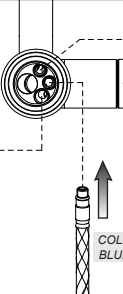
Case 2



NO Integrated Gasket



**1**

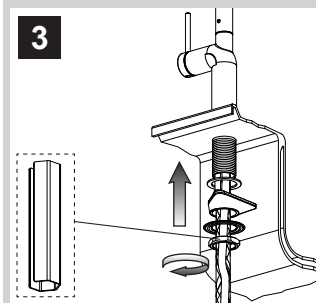
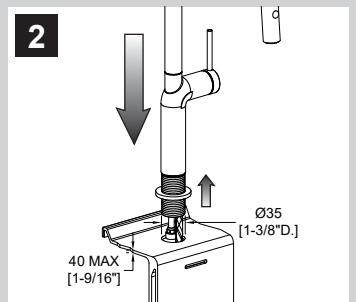


40 MAX  
[1-9/16"]

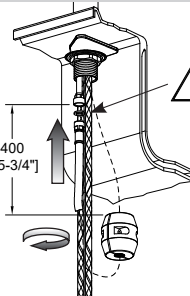
Ø35  
[1-3/8"D.]

COLD BLUE

HOT RED



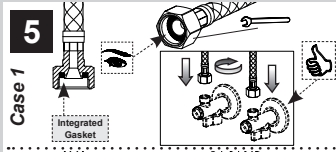
**4**



400  
[15-3/4"]

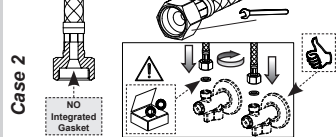
**5**

Case 1



Integrated Gasket

Case 2



NO Integrated Gasket

